

# ACCESSORIES

Deck Gear • Control Gear



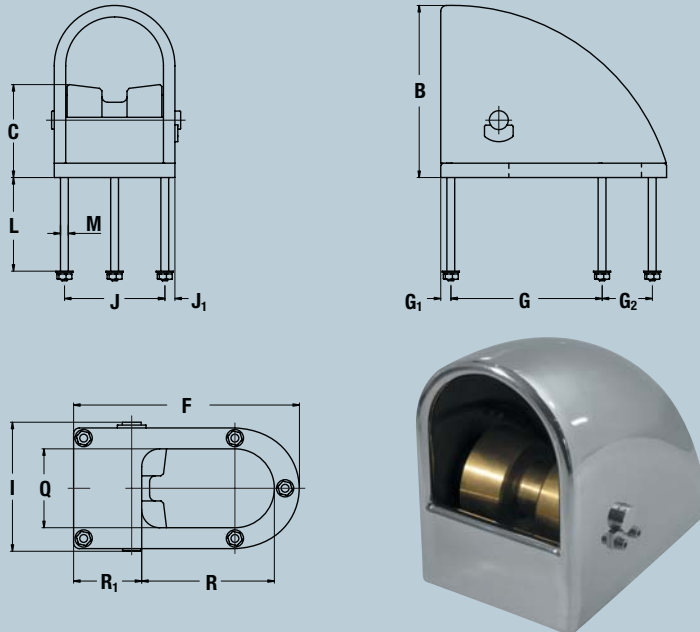
## Anchoring Solutions

## Windlasses

## Capstans

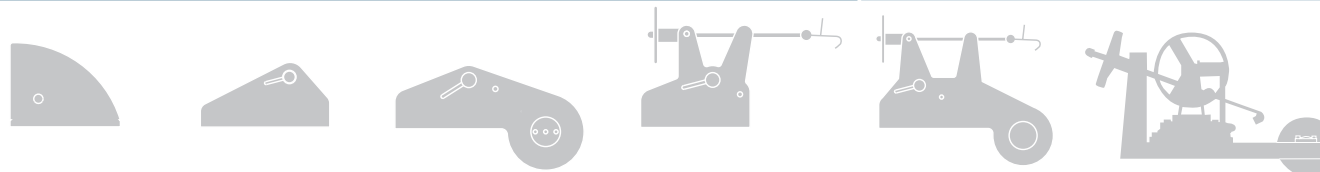
## Accessories

### Stainless Steel Chain Pipe with Roller



The nominal size is the maximum chain size the pipe can handle.

	24mm	32mm		24mm	32mm
<b>B</b>	240mm 9 7/16"	320mm 12 5/8"	<b>J</b>	132mm 5 3/16"	185mm 7 5/16"
<b>C</b>	130mm 5 1/8"	190mm 7 1/2"	<b>J<sub>1</sub></b>	18mm 11/16"	17mm 11/16"
<b>F</b>	324mm 12 13/16"	415mm 16 3/8"	<b>L</b>	130mm 5 1/8"	130mm 5 1/8"
<b>G</b>	204mm 8 1/16"	264mm 10 3/8"	<b>M</b>	M12	M12
<b>G<sub>1</sub></b>	30mm 1 3/16"	36mm 1 7/16"	<b>Q</b>	110mm 4 5/16"	160mm 6 5/16"
<b>G<sub>2</sub></b>	66mm 2 5/8"	93mm 3 11/16"	<b>R</b>	243mm 9 9/16"	264mm 10 3/8"
<b>I</b>	180mm 7 1/16"	237mm 9 3/8"	<b>R<sub>1</sub></b>	30mm 1 3/16"	114mm 4 1/2"
			<b>Weight</b>	18kg 40lb	37kg 82lb



# ACCESSORIES

Deck Gear • Control Gear



Anchoring Solutions

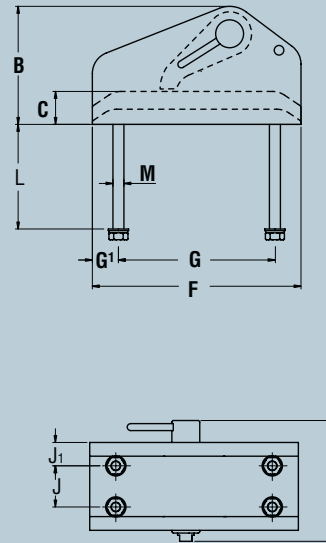
Windlasses

Capstans

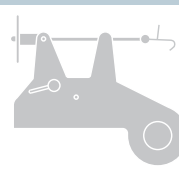
Accessories



## Chromed Bronze Chain Stopper



	<b>13mm</b>		<b>13mm</b>
<b>B</b>	105mm 4 1/8"	<b>I</b>	100mm 4"
<b>C</b>	25mm 1"	<b>J</b>	53mm 2 1/16"
<b>F</b>	218mm 8 9/16"	<b>J<sub>1</sub></b>	M12
<b>G</b>	159mm 6 1/4"	<b>M</b>	13mm 1/2"
<b>G<sub>1</sub></b>	30mm 1 3/16"	<b>Weight</b>	5kg 11lb



# ACCESSORIES

Deck Gear • Control Gear



Anchoring Solutions

Windlasses

Capstans

Accessories

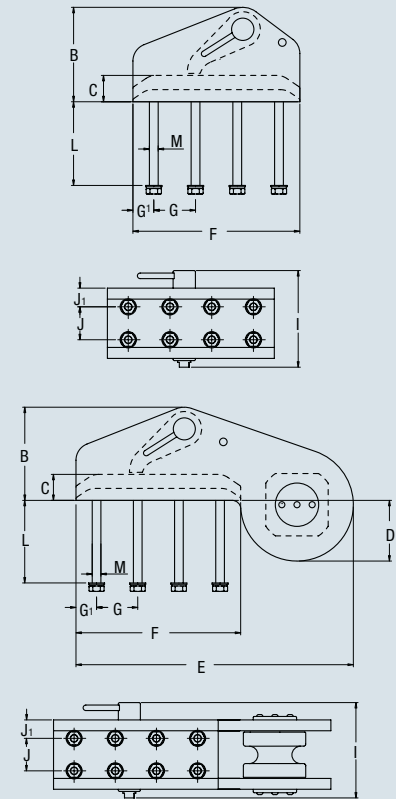


## Stainless Steel Chain Stopper

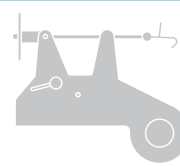
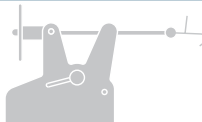


## Stainless Steel Chain Stopper-Roller

	13mm	16mm	19mm	20.5mm	22mm
<b>B</b>	109mm 4 5/16"	152mm 6"	215mm 8 7/16"	215mm 8 7/16"	215mm 8 7/16"
<b>C</b>	25mm 1"	32mm 1 1/4"	60mm 2 3/8"	60mm 2 3/8"	60mm 2 3/8"
<b>D</b>	90mm 3 9/16"	107mm 4 3/16"	140mm 5 1/2"	150mm 5 7/8"	150mm 5 7/8"
<b>E</b>	402mm 15 13/16"	540mm 21 1/4"	640mm 25 3/16"	640mm 25 3/16"	640mm 25 3/16"
<b>F</b>	276mm 10 7/8"	320mm 12 5/8"	380mm 14 15/16"	380mm 14 15/16"	380mm 14 15/16"
<b>G</b>	196mm 7 11/16"	105mm 4 1/8"	95mm 3 3/4"	95mm 3 3/4"	95mm 3 3/4"
<b>G1</b>	40mm 1 9/16"	55mm 2 3/16"	47.5mm 1 7/8"	47.5mm 1 7/8"	47.5mm 1 7/8"
<b>I</b>	96mm 3 3/4"	135mm 5 5/16"	180mm 7 1/16"	202mm 7 15/16"	202mm 7 15/16"
<b>J</b>	37mm 1 7/16"	47mm 1 7/8"	58mm 2 5/16"	65mm 2 9/16"	65mm 2 9/16"
<b>J1</b>	17.5mm 11/16"	24.5mm 15/16"	40mm 1 9/16"	42.5mm 1 5/8"	42.5mm 1 5/8"



Scroll down for further measurements and individual ACAD drawings



# ACCESSORIES

Deck Gear • Control Gear



Anchoring Solutions

Windlasses

Capstans

Accessories

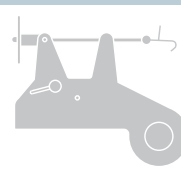
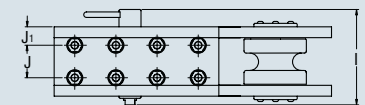
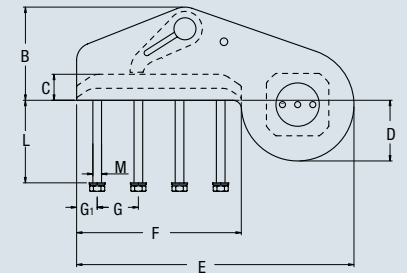
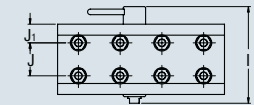
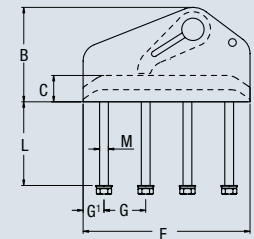


## Stainless Steel Chain Stopper



## Stainless Steel Chain Stopper-Roller

	13mm	16mm	19mm	20.5mm	22mm
<b>L</b>	130mm 5 1/8"	135mm 5 5/16"	185mm 7 5/16"	185mm 7 5/16"	185mm 7 5/16"
<b>M</b>	M12	M16	M20	M20	M20
<b>RS Weight</b>	11kg 24lb	25kg 55lb	86kg 189lb	94kg 207lb	94kg 207lb
<b>S Weight</b>	-	15kg 33lb	50kg 110lb	52kg 114lb	52kg 114lb



# ACCESSORIES

Deck Gear • Control Gear



Anchoring Solutions

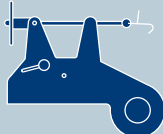
Windlasses

Capstans

Accessories



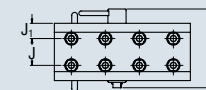
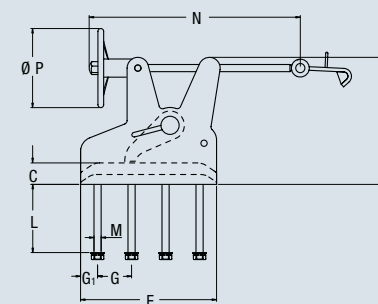
## Stainless Steel Stopper-Tensioner



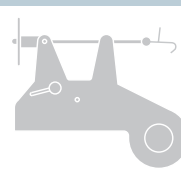
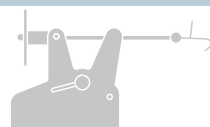
## Stainless Steel Roller-Stopper-Tensioner

	13mm*	14/16mm	17.5mm*	19mm	20.5mm	22mm	24mm*	32mm*
<b>B</b>	205mm 8 1/16"	270mm 10 5/8"	270mm 10 5/8"	360mm 14 3/16"	360mm 14 3/16"	360mm 14 3/16"	410mm 16 1/8"	534mm 21 3/8"
<b>C</b>	25mm 1"	32mm 1 1/4"	32mm 1 1/4"	60mm 2 3/8"	60mm 2 3/8"	60mm 2 3/8"	60mm 2 3/8"	70mm 2 13/16"
<b>D</b>	80mm 3 1/8"	107mm 4 3/16"	107mm 4 3/16"	140mm 5 1/2"	150mm 5 7/8"	150mm 5 7/8"	160mm 6 5/16"	226mm 8 15/16"
<b>E</b>	392mm 15 7/16"	540mm 21 1/4"	540mm 21 1/4"	640mm 25 3/16"	710mm 27 15/16"	710mm 27 15/16"	750mm 29 1/2"	1000mm 39 3/8"
<b>F</b>	215mm 8 7/16"	320mm 12 5/8"	320mm 12 5/8"	380mm 14 15/16"	380mm 14 15/16"	380mm 14 15/16"	380mm 14 15/16"	500mm 19 11/16"
<b>G</b>	135mm 5 5/16"	105mm 4 1/8"	105mm 4 1/8"	95mm 3 3/4"	95mm 3 3/4"	95mm 3 3/4"	95mm 3 3/4"	100mm 3 15/16"
<b>G<sub>i</sub></b>	40mm 1 9/16"	55mm 2 3/16"	55mm 2 3/16"	47.5mm 1 7/8"	47.5mm 1 7/8"	47.5mm 1 7/8"	47.5mm 1 7/8"	50mm 2"
<b>I</b>	97mm 3 13/16"	135mm 5 5/16"	158mm 6 1/4"	180mm 7 1/16"	202mm 7 15/16"	202mm 7 15/16"	215mm 8 7/16"	290mm 11 7/16"
<b>J</b>	37mm 1 7/16"	47mm 1 7/8"	55mm 2 3/16"	58mm 2 5/16"	65mm 2 9/16"	65mm 2 9/16"	75 mm 2 15/16"	100mm 3 15/16"
<b>J<sub>i</sub></b>	17mm 11/16"	24.5mm 15/16"	28.5mm 1 1/8"	40mm 1 9/16"	43mm 1 5/8"	43mm 1 5/8"	42.5mm 1 11/16"	55mm 2 3/16"
<b>L</b>	133mm 5 1/4"	135mm 5 5/16"	185mm 7 5/16"	185mm 7 5/16"	185mm 7 5/16"	185mm 7 5/16"	185mm 7 5/16"	177mm 7"

\*Available as Roller-Stopper-Tensioner only



Scroll down for further measurements and individual ACAD drawings



# ACCESSORIES

Deck Gear • Control Gear



Anchoring Solutions

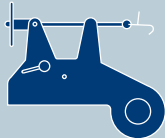
Windlasses

Capstans

Accessories

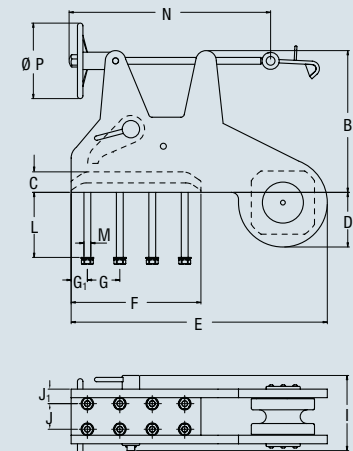


## Stainless Steel Stopper-Tensioner

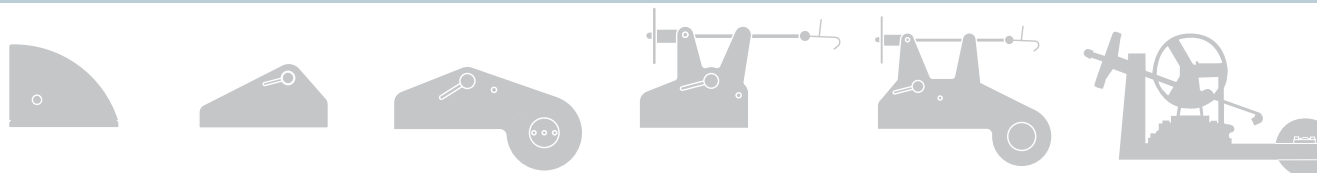


## Stainless Steel Roller-Stopper-Tensioner

	13mm*	14/16mm	17.5mm*	19mm	20.5mm	22mm	24mm*	32mm*
<b>M</b>	M12	M16	M20	M20	M20	M20	M20	M20
<b>N</b>	340mm 13 3/8"	438mm 17 1/4"	438mm 29"	480mm 18 7/8"	480mm 18 7/8"	480mm 18 7/8"	620mm 24 7/16"	736mm 2' 5"
<b>P</b>	171mm 6 3/4"	170mm 6 11/16"	170mm 6 11/16"	220mm 8 11/16"	220mm 8 11/16"	220mm 8 11/16"	220mm 8 11/16"	280mm 11 1/16"
<b>RST Weight</b>	16kg 35lb	34kg 75lb	47kg 103lb	106kg 233lb	118kg 260lb	119kg 262lb	137kg 301lb	271kg 597lb
<b>ST Weight</b>	- -	24kg 53lb	- -	68kg 150lb	71kg 156lb	71kg 156lb	- -	- -



\*Available as Roller-Stopper-Tensioner only



# ACCESSORIES

Deck Gear • Control Gear



Anchoring Solutions

Windlasses

Capstans

Accessories



## Stainless Steel Chain Compressor

	17.5/19/20.5/22mm	24/26mm
<b>B</b>	466mm 18 3/8"	550mm 21 11/16"
<b>C</b>	130mm 5 1/8"	174mm 6 7/8"
<b>D</b>	71mm 2 3/4"	95mm 3 3/4"
<b>E</b>	797mm 31 3/8"	973mm 38 5/16"
<b>F</b>	709mm 27 15/16"	800mm 31 1/2"
<b>G</b>	40mm 1 9/16"	41mm 1 5/8"
<b>G1</b>	330mm 13"	280mm 11"
<b>G2</b>	189mm 7 7/16"	280mm 11"
<b>I</b>	548mm 21 9/16"	638mm 25 1/8"
<b>J</b>	300mm 11 13/16"	376mm 14 3/4"
<b>J1</b>	40mm 1 9/16"	25mm 1"
<b>L</b>	112mm 4 7/16"	117mm 4 5/8"
<b>M</b>	M20	M24

