

4000

Introduction • Topworks • Drives
• Band Brakes and options

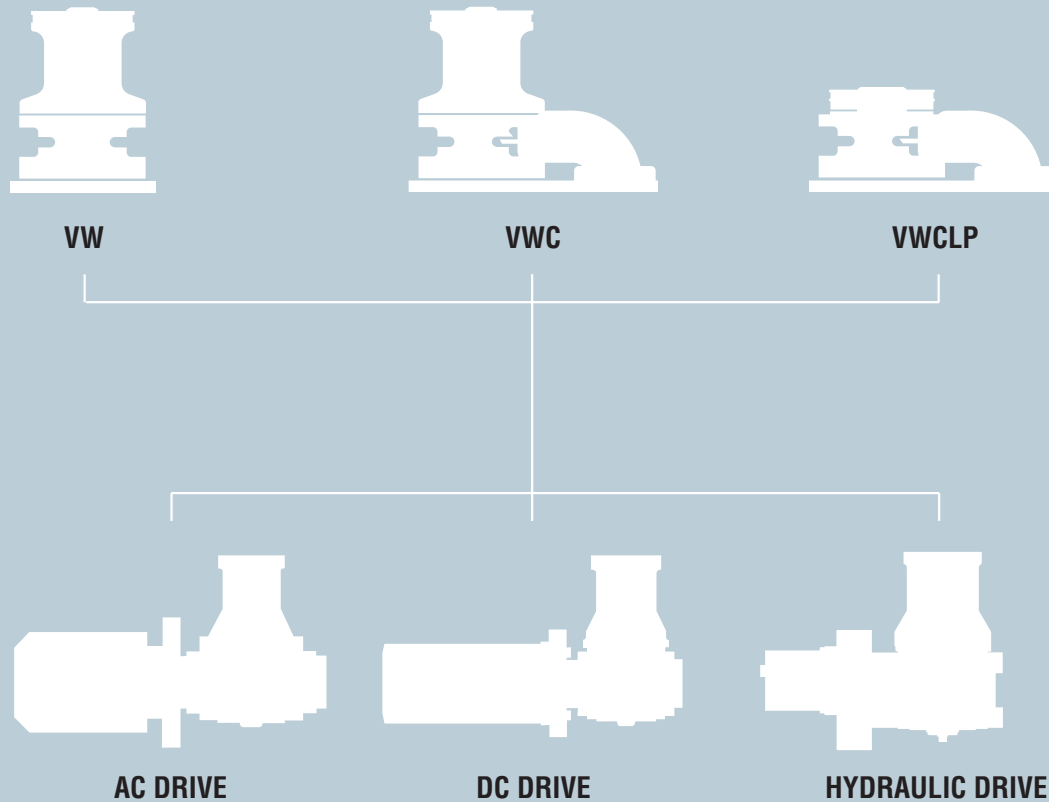


Anchoring Solutions

Windlasses

Capstans

Accessories



Disclaimer

All information is subject to change without notice. For any critical requirement, use only specifically quoted figures, available on request.

MAXWELL

4000

Introduction • **Topworks** • Drives
• Band Brakes and options



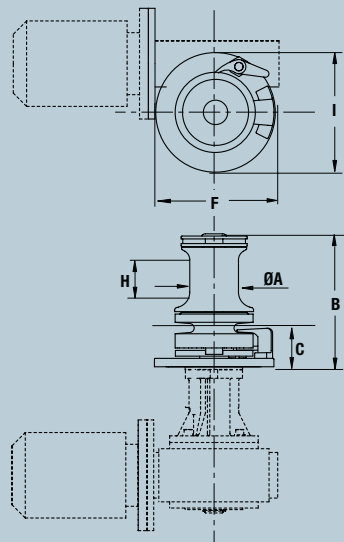
Anchoring Solutions

Windlasses

Capstans

Accessories

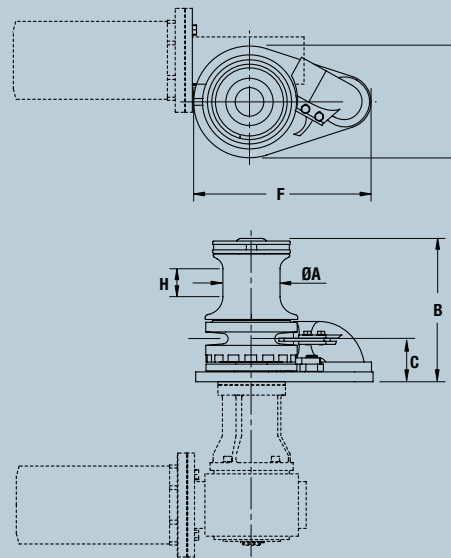
VW



Maximum chain size:

short link 14mm
stud link 12.5mm

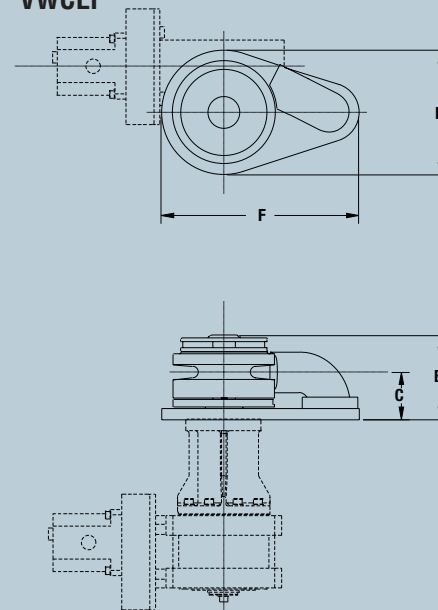
VWC



Maximum chain size:

short link 13mm

VWCLP



Maximum chain size:

short link 13mm

	VW	VWC	VWCLP
A	110mm 4 5/16"	110mm 4 5/16"	-
B	276mm 10 7/8"	276mm 10 7/8"	146mm 5 3/4"
C	83mm 3 1/4"	83mm 3 1/4"	83mm 3 1/4"
F	270mm 10 5/8"	341mm 13 7/16"	341mm 13 7/16"
H	54mm 2 1/8"	54mm 2 1/8"	-
I	270mm 10 5/8"	215mm 8 1/2"	215mm 8 1/2"

MAXWELL

4000

Introduction • Topworks • **Drives**
• Band Brakes and options



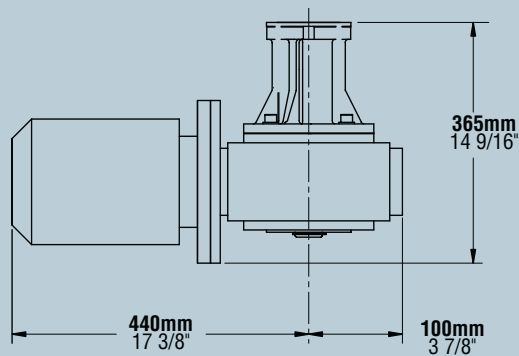
Anchoring Solutions

Windlasses

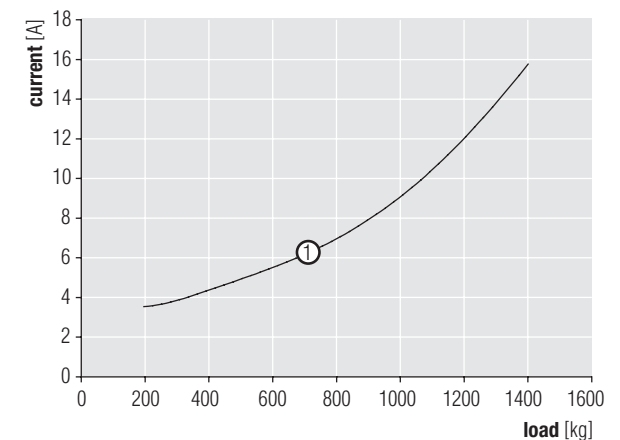
Capstans

Accessories

AC Drive Specifications



Line Speed	13 m/min 44 ft/min
Pull Capacity cont. run ①	715 kg 1753 lb
Pull Capacity stall	1818 kg 4000 lb
Current (At 400V)	
Rated Load	6.2 A
start DOL	41 A
Motor Power	3 kW 4 HP
Weight of windlass	100 kg 220 lb



NOTE: Performance data are given for 400V 50Hz power supply.
They may vary for other voltages and frequencies.

MAXWELL

4000

Introduction • Topworks • **Drives**
• Band Brakes and options



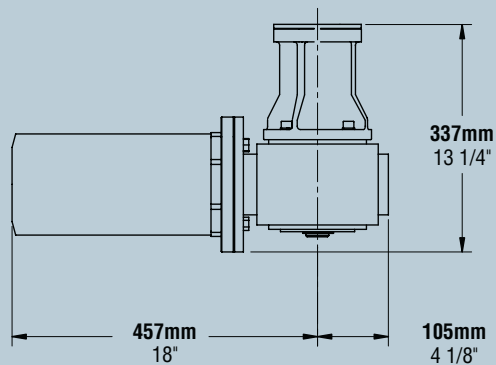
Anchoring Solutions

Windlasses

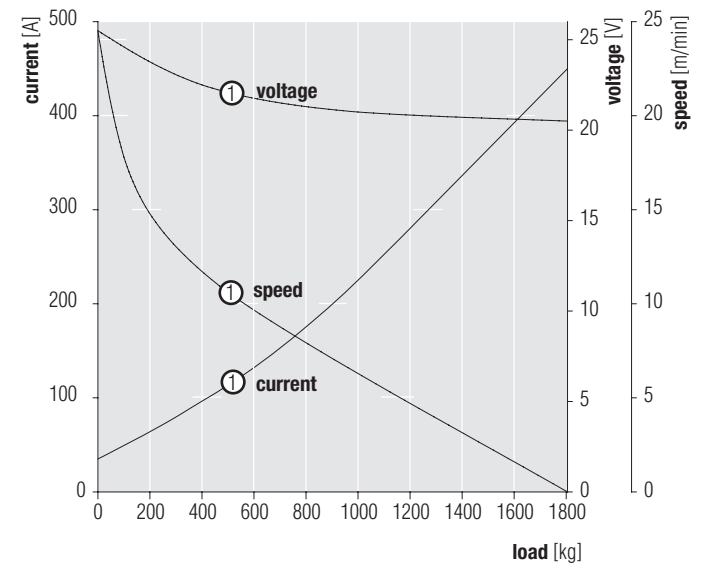
Capstans

Accessories

DC Drive Specifications



Pull Capacity	533 kg
cont. run (1)	1175 lb
Pull Capacity	1818 kg
stall	4000 lb
Motor Power	2 kW
	2.7 HP
Weight of Windlass	65 kg
	143 lb



MAXWELL

4000

Introduction • Topworks • **Drives**
• Band Brakes and options



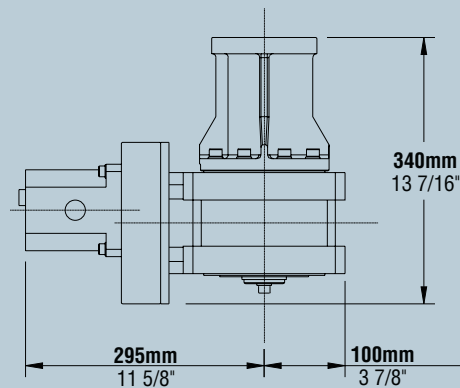
Anchoring Solutions

Windlasses

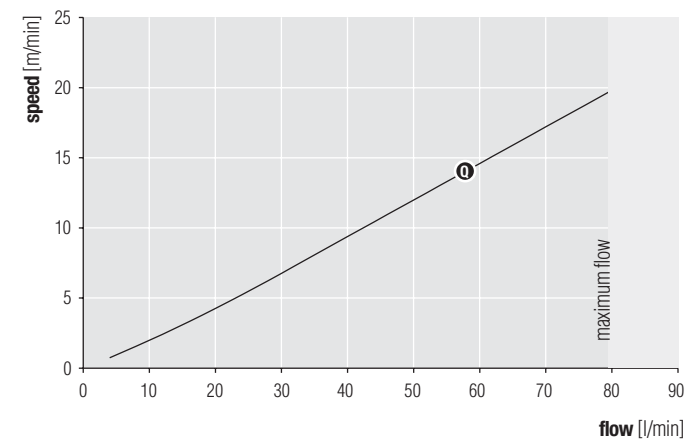
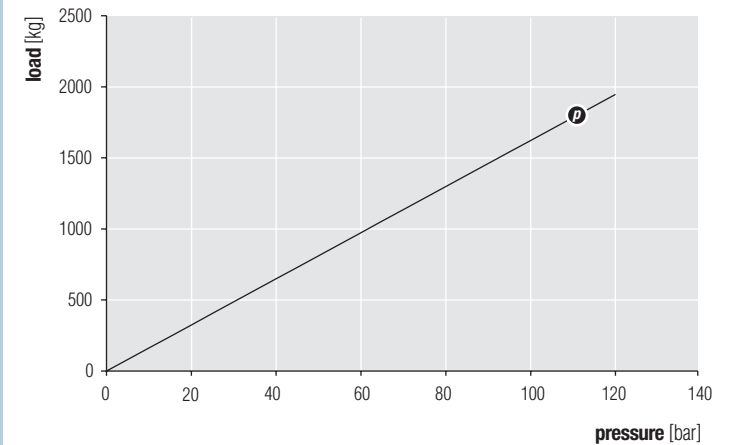
Capstans

Accessories

Hydraulic Drive Specifications



Maximum Pressure - p	103.4 bar 1500 psi
Pull Capacity	1818 kg 4000 lb
Recommended Flow - Q	50 l/min 13.2 USgal/min
Line Speed @ Q	14 m/min 46 ft/min
Maximum Flow	67 l/min 17.7 USgal/min
Weight of Windlass	50 kg 110 lb



MAXWELL

4000

Introduction • Topworks • Drives
• **Band Brakes and options**



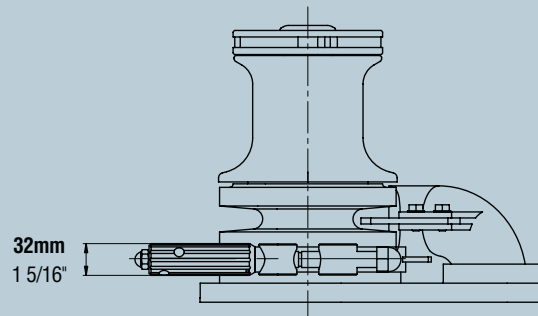
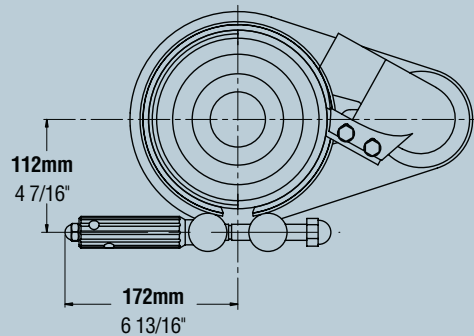
Anchoring Solutions

Windlasses

Capstans

Accessories

Band Brakes



Options

- Available with and without Band Brake
- Above deck components in stainless steel or chromed bronze
- Chainwheels to accommodate custom chain sizes if sample chain provided
- Clockwise and counter-clockwise versions
- Drive can be positioned in different orientations relative to deckplate

MAXWELL