

# 2500

Introduction • Topworks • Drives



Anchoring Solutions

Windlasses

Capstans

Accessories



DC DRIVE



## Disclaimer

All information is subject to change without notice. For any critical requirement, use only specifically quoted figures, available on request.

# MAXWELL

# 2500

Introduction • **Topworks** • Drives

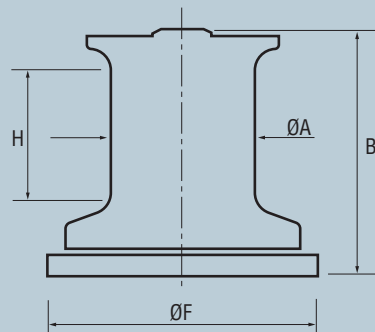


Anchoring Solutions

Windlasses

**Capstans**

Accessories



<b>A</b>	110mm 4 3/8"
<b>B</b>	209mm 8 1/4"
<b>F</b>	190mm 7 1/2"
<b>H</b>	108mm 4 1/4"

**MAXWELL**

# 2500

Introduction • Topworks • **Drives**



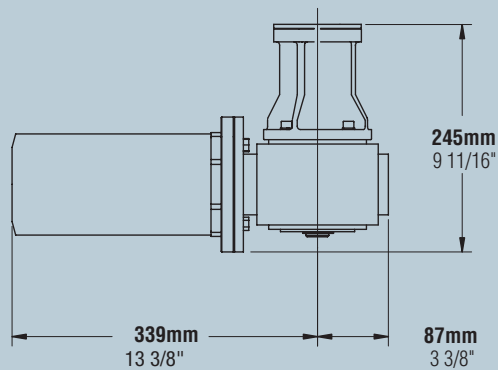
## DC Drive Specifications

Anchoring Solutions

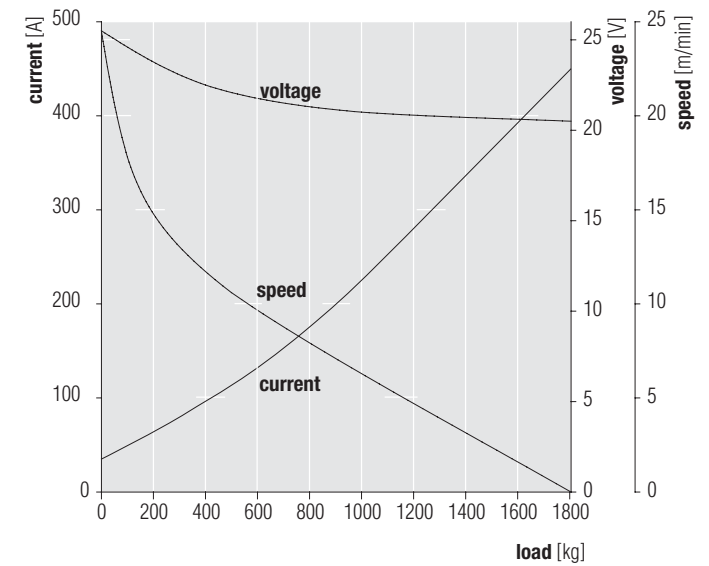
Windlasses

**Capstans**

Accessories



Pull Capacity	1136 kg
stall	2500 lb
Motor Power	1.5 kW
	2 HP
Weight	41 kg
	90 lb



**MAXWELL**